



Group Exercise Elliptical Owner's Manual

***PLEASE CAREFULLY READ THIS ENTIRE MANUAL BEFORE
OPERATING YOUR NEW ELLIPTICAL!***

Table of Contents

Important Safety Instructions.....	2
Features.....	3
Assembly Instructions.....	4
Console Operation.....	12
Maintenance.....	14
Exploded view and parts list.....	15

Important Safety Instructions

WARNING - Read all instructions before using this appliance.

Do not operate elliptical on deeply padded, plush or shag carpet. Damage to both carpet and elliptical may result.

Keep children away from the elliptical. There are obvious pinch points and other caution areas that can cause harm.

Keep hands away from all moving parts.

Never drop or insert any object into any openings.

Do not use outdoors.

Do not attempt to use your elliptical for any purpose other than for the purpose it is intended.

Wear proper shoes. High heels, dress shoes, sandals or bare feet are not suitable for use on your elliptical. Quality athletic shoes are recommended to avoid leg fatigue.

Use caution while participating in other activities while using your elliptical such as watching television, reading, etc. These distractions may cause you to lose balance and may result in serious injury.

Always hold on to a handrail or hand bar while making control changes.

SAVE THESE INSTRUCTIONS - THINK SAFETY!

Features

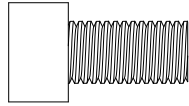
This all new product from the company is a next generation elliptical machine specially designed for use with group exercise workouts or for serious training at home. Here are the top reasons why we believe the group exercise elliptical is among the best elliptical machines available, for everyone:

- **State of the Art** patent-pending, industry-leading, super-smooth, super-fast elliptical motion that opens up vast new possibilities for riders to vary their workouts, by duration, intensity, frequency and personal goals, whether health, fitness, endurance, strength, or professional athletic.
- **Compatible Uses** with both ElliptiCore group exercise programs, as well as with all indoor group cycle programs, gives riders an exercise choice in the same room, which empowers club owners to offer variety in group exercise programs, to fill open slots, and to improve overall financial performance of dedicated group exercise space.
- **Safety** features include an emergency hand brake and a manual lever to lock the flywheel when not in use.
- Thirty pound **Steel Flywheel**, along with a patented transmission system, provides the perfect amount of inertia that both challenges the rider, and assists in maintaining a smooth and even ride at every cadence.
- **Powerful Magnetic Resistance** provides super smooth, abundant resistance for high intensity workouts, ride variation, and larger riders.
- **Generous Footpads** allow precise foot placement both fore-aft and inside-out, and remain in a basic horizontal orientation throughout the elliptical stride, eliminating undesirable tipping forward of the feet.
- **Center-Mounted** fixed hand grips facilitate mounting and dismounting, in-ride recovery, and controlled sprints and interval training.
- **Essential Data** of cadence (RPM), total distance, heart rate and total elapsed time are displayed on an adjustable, heads up, LCD digital console.
- **Self-Powered** operation with no need for electricity (other than recyclable AA batteries).
- **Enhanced Movability** with a rear mounted hand grip, front-mounted heavy duty casters, and a narrower footprint.
- **Commercial Quality** materials with precision engineering and automated robotic welding give the machine consistent quality and long term durability.
- **Affordable Excellence** makes the elliptical a best buy in the market, for both clubs and individuals.

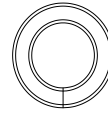
Assembly Instructions

HARDWARE

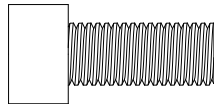
Step1



#58. M10 x 20mm
Stainless steel bolt

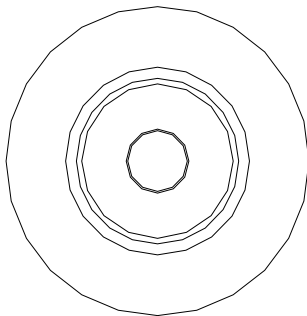


#65. Split washer M10

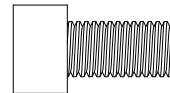


#129. M10 x 25mm
Stainless steel bolt

Step2



#32. Cup washer

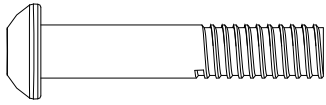


#58 M10 x 20mm
Stainless steel bolt



#59 . M5 x 10mm
Phillips head screw

Step3



#44 5/16" x 1-3/4" Bolt

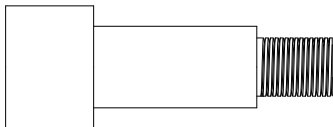


#45 5/16" Nut

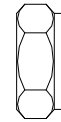


#59 M5 x 10mm
Phillips head screw

Step4

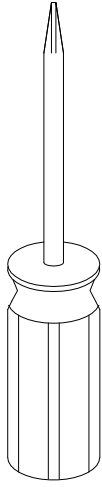


#74 M10 x 38mm
Shoulder Bolt

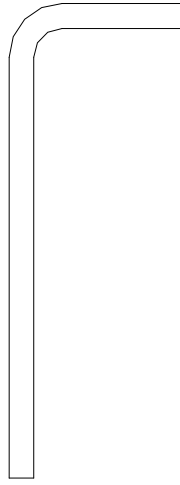


#110 M10 Nut

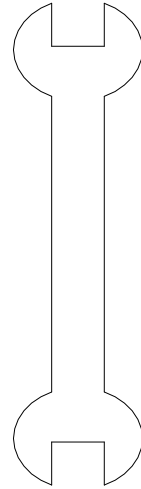
Tools



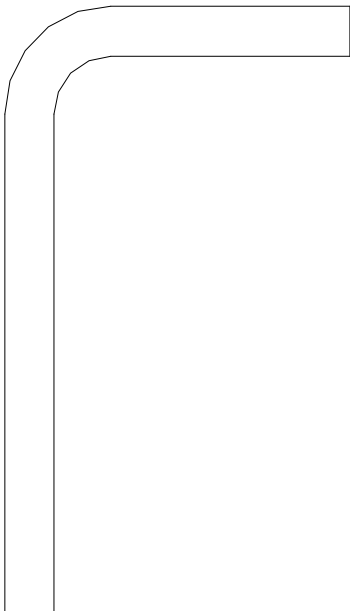
#115 Phillips Head
Screw Driver



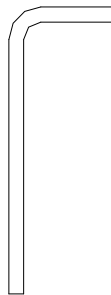
#116 8mm
Allen Wrench



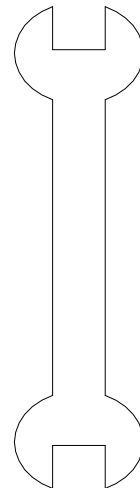
#117 17mm Wrench



#118. 12mm Allen Wrench



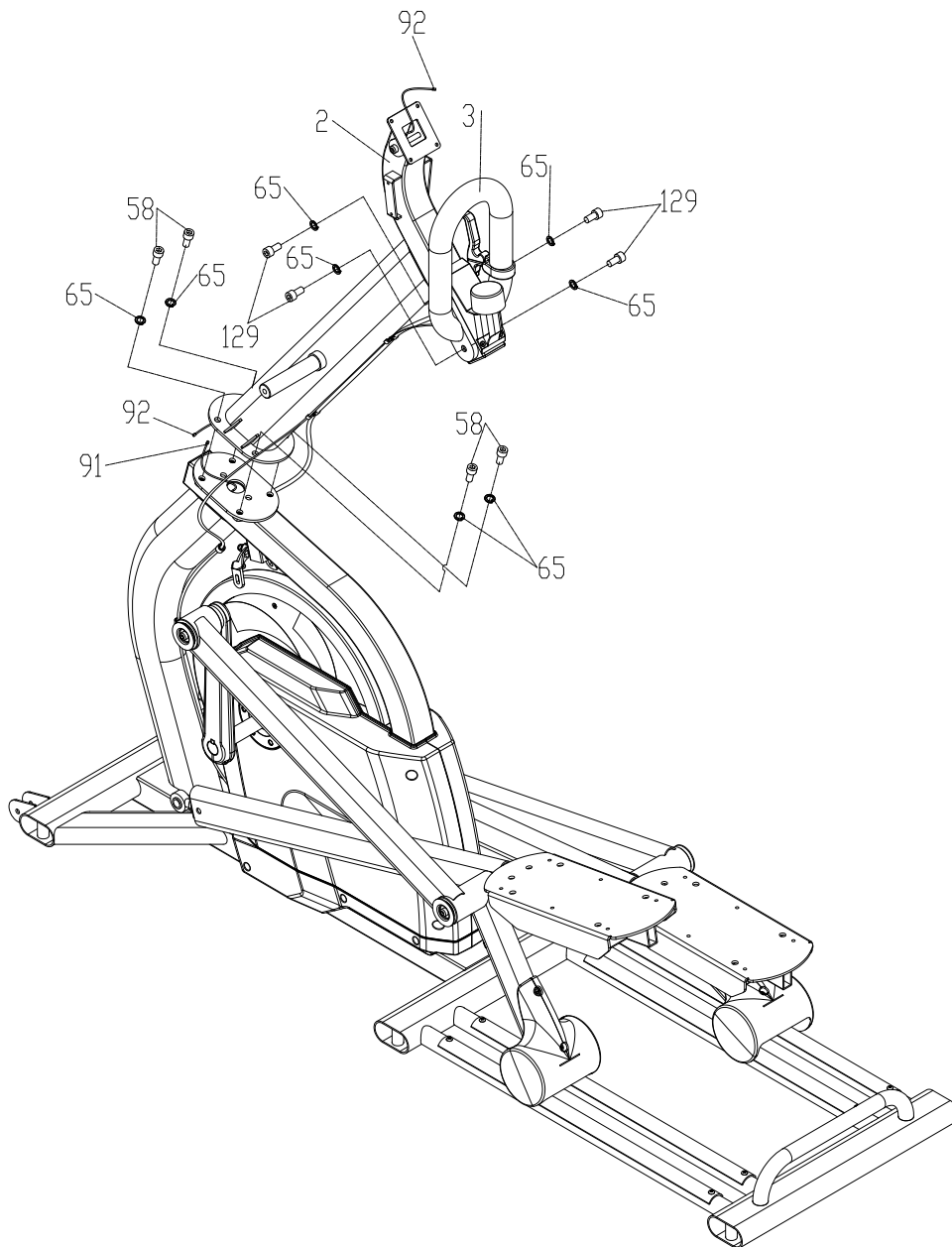
#119. 5mm Allen Wrench



#120. 13m/m Wrench

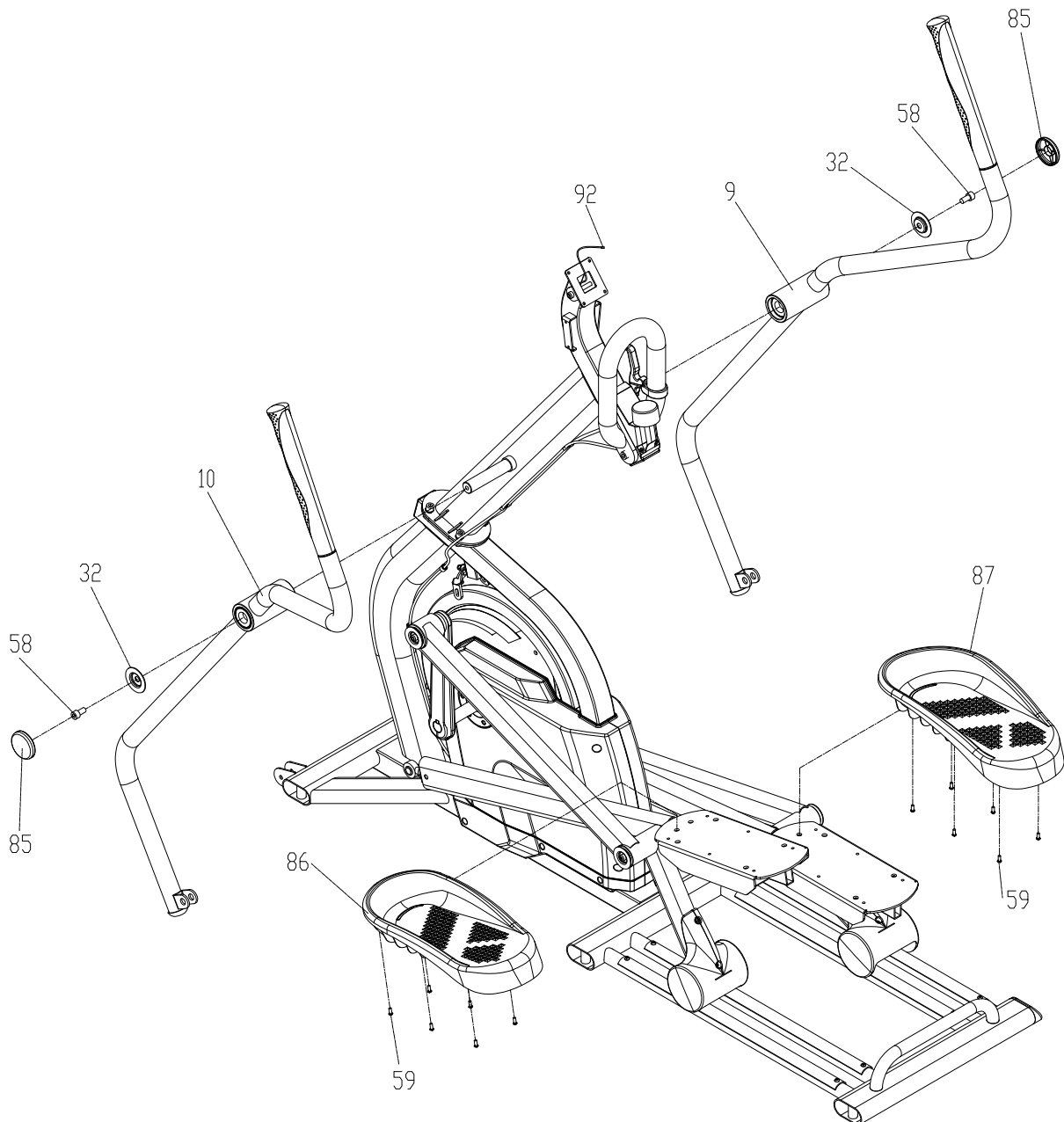
STEP 1: CONSOLE MAST

- The tension adjustment cable and speed sensor wire are pre-installed to the console mast and main frame so be careful not to pull too hard on the console mast during assembly to avoid damaging them. Connect the two speed sensor wires together.
- Lift the console mast (2) into place and align it so the locating pins in the mounting plate are set into the holes in the mating plate of the main frame. **Be careful not to pinch the speed sensor wire between the console mast and the main frame plates during assembly.**
- Secure the console mast in place with the four M10 x 20mm stainless steel bolts (58) and M10 split washers (65). Make sure the bolts are securely tightened.
- Install the stationary handlebars (3) to the console mast with four M10 x 25mm stainless steel bolts (129) and M10 split washers (65). Make sure the bolts are securely tightened.



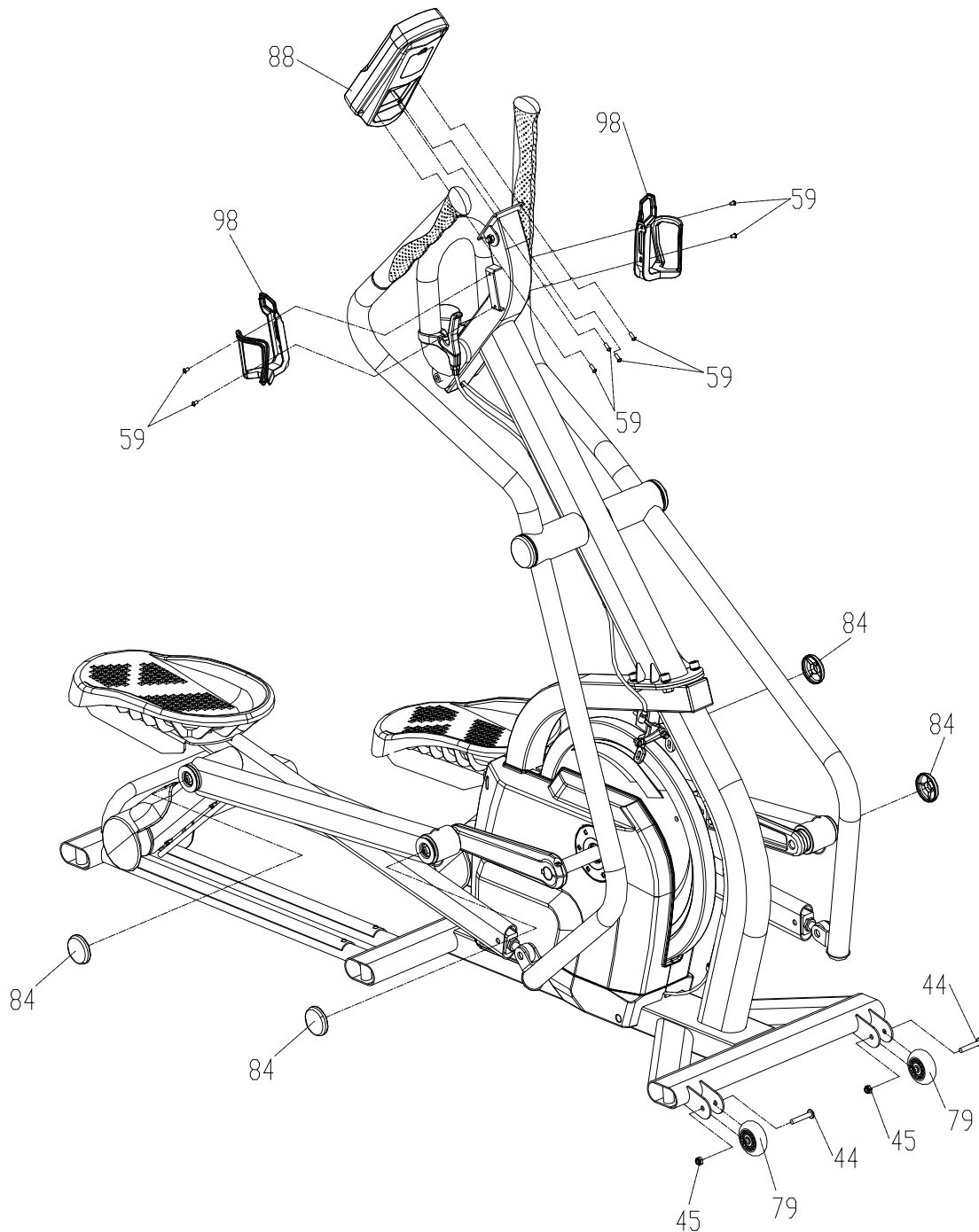
STEP 2: SWING ARMS & PEDALS

- Slide the two swing arms (9 & 10) onto the console mast axle. There is a left and right swing arm so make sure you assemble the correct one on each side. Do not force the arms onto the axle or use a hammer as damage to the bearings could occur. The swing arms have been previously installed at the factory and should fit properly, although it is a snug fit.
- Secure the swing arms in place with the M10 x 20mm stainless steel bolts (58) and cup washers (32) and tighten. Snap the decorative caps (85) over the cup washers.
- Connect the clear drain hoses and install the foot pedals (86 left, 87 right) with twelve M5 x 10mm screws (59)



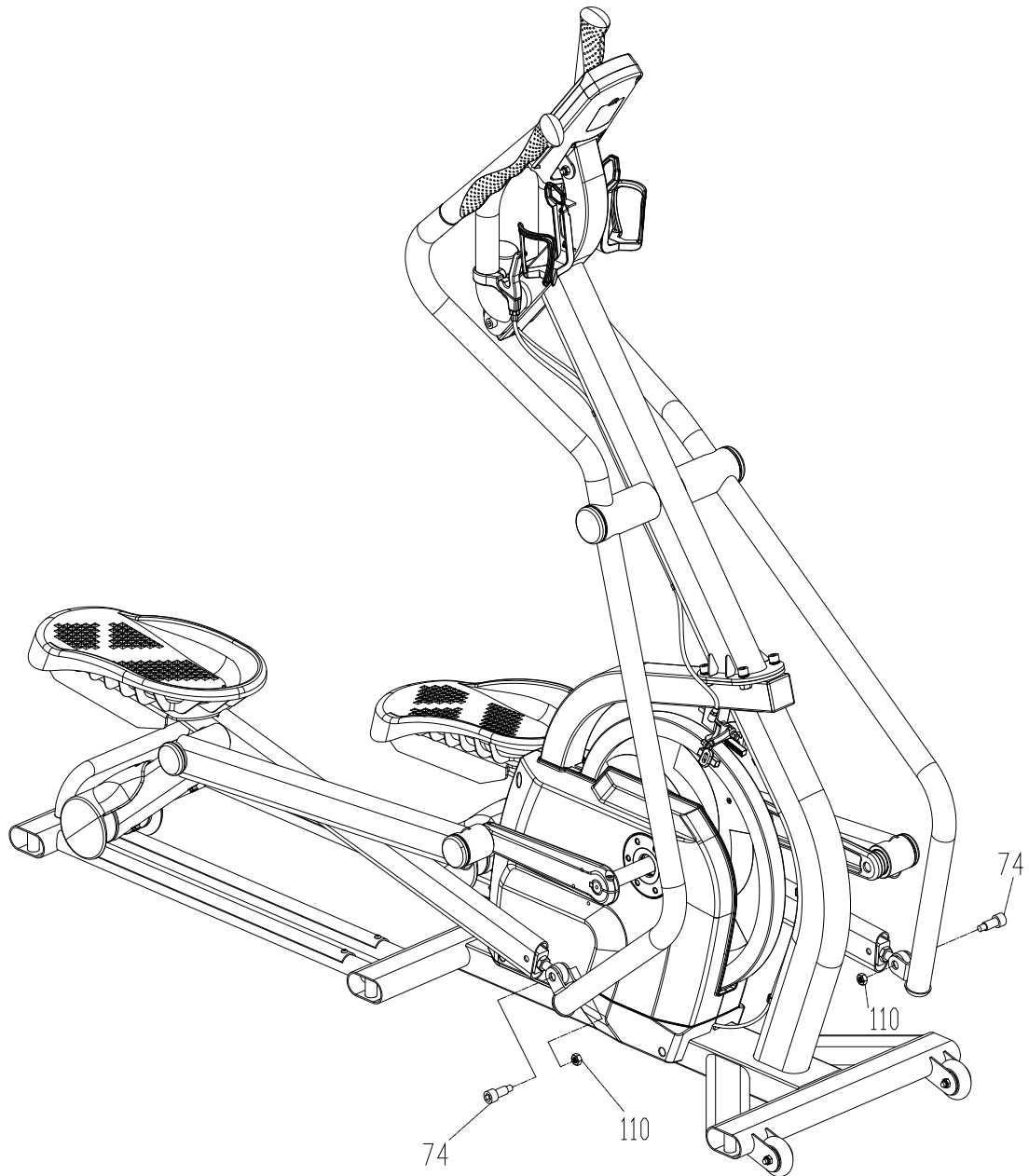
STEP 3: CONSOLE

- Assemble the transport wheels (79) with the two 5/16" x 1-3/4" bolts (44) and 5/16" nuts (45)
- Unpack the console and install the 3 AA batteries. Connect the speed sensor wire into the white two pin connector accessed through the opening in the back of the console. Mount the console onto the console mast plate and secure with four M5 x 12mm screws (59).
- Secure the two bottle cages (98) to the console mast with four M5 x 10mm screws (59)
- Snap the four end caps (84) onto the cup washers on the left & right pedal arm assemblies.



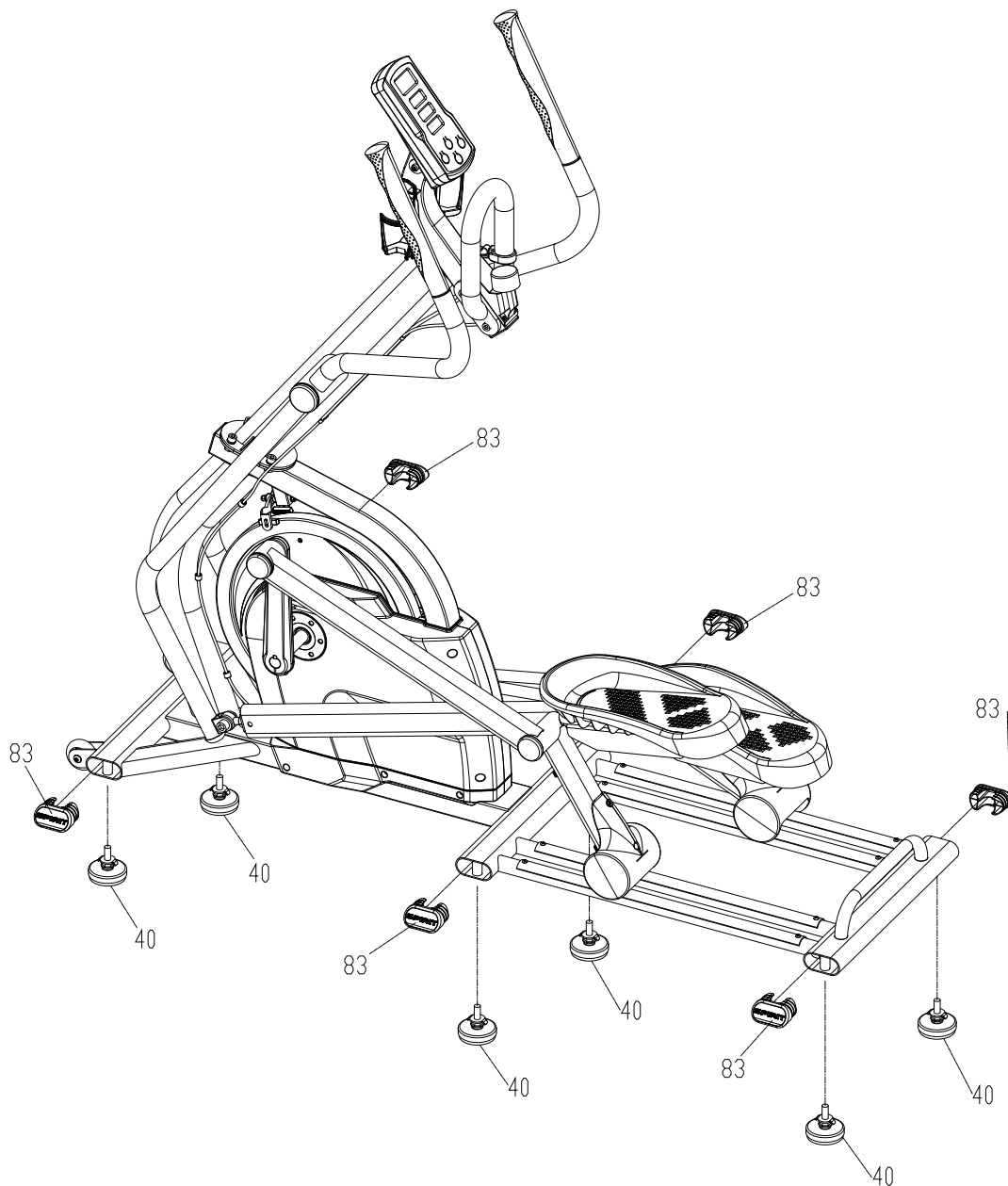
STEP 4: SWING ARMS

- Assemble the bracket at the bottom of the swing arms to the rod ends on the pedal arms using the M10 x 38mm shoulder bolts (74) and the M10 nuts (110). Tighten securely.



STEP 5: LEVELERS & END CAPS

- Tilt the elliptical to one side and put something under the unit for support and install the three levelers (40) for that side. Tilt the unit to the other side and install those three levelers (40). Level the elliptical once it is positioned where it will be used. Screw the two middle levelers all the way in and the front and rear levelers all the way in, then back them out about two or three turns. Level the unit using only the front and rear levelers first, then adjust the middle levelers so they touch the floor. Make sure to lock the levelers when finished.
- Press the six plastic end caps (83) into the oval stabilizer tubes.



CONSOLE OPERATION



Power

The power for the console is provided by 3 AA alkaline batteries (provided) and will operate on rechargeable NiCd AA batteries. Once the batteries are installed the console will power on, the Time window will display an hour meter reading, the Distance window will display an odometer reading and the RPM/Cadence window will display the software version. The hour reading shows how long the elliptical has been in use and the distance shows how many virtual miles the elliptical has gone.

If the console does not detect a speed signal, or key activations, it will go to sleep to protect battery life. To wake the console up you can press any key.

Displays

Time: Displays workout time two ways; either count up (accumulated time) or count down (remaining time), depending on your preference selected before starting the timer.

Speed/Cadence/ RPM: Displays the current pedaling speed as revolutions per minute.

Distance: Displays virtual distance traveled in miles or kilometers (units selected through management mode, see page 13 for details).

Heart Rate: Displays heart rate in beats per minute when a heart rate chest belt transmitter is worn and detected by the console. The heart rate receiver is compatible with Polar coded transmitters.

Keys

Time + (up): Used to set workout time before the start key is pressed. The up key will increase the time setting by 1 minute for each key press. The time will change more rapidly when the key is held down for 2 seconds. The key is also used to switch the time reading to count up (elapsed time).

Time - (Down): Used to set workout time before the start key is pressed. The down key will decrease the time setting by 1 minute for each key press. The time will change more rapidly when the key is held down for 2 seconds. The key is also used to switch the time reading to count down (remaining time).

Start/Stop: Starts and stops the program timer.

Reset: Performs a complete reset of the console.

Operation

- **Power** the console on by pressing any key.
- Enter **Quick start** operation by simply pressing the start key. The time will count up from zero.
- You may **set a workout time** by using the Time up and down keys. When you press the Start key the time will count down to zero from the set time. After pressing start you can use the up and down keys to switch the time to count up or count down.
- Press the start/stop button to **Pause** the timer and also to resume the timer when it is in Pause mode.
- Press the **Reset** key to reset all the data.
- For **Heart Rate readings** you must wear a heart rate transmitter. The console will pick up the transmitter signal and display your heart rate automatically.

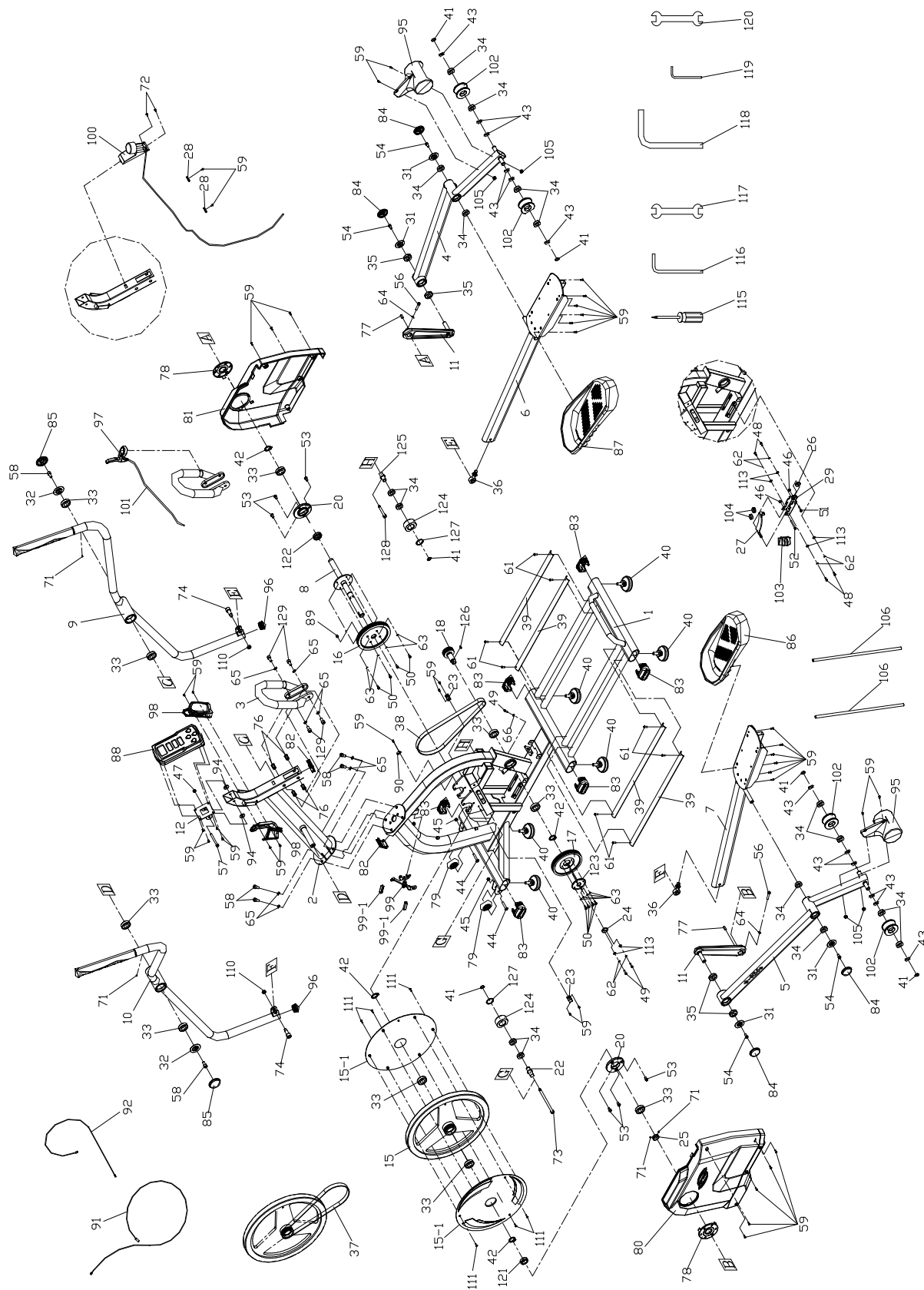
MAINTENANCE

The elliptical is practically maintenance free. Just keep it clean by wiping down the unit with a damp cloth after each use. Do not use harsh detergents. Every month check that all the hardware is securely tightened. Do not use the elliptical if any parts are loose or broken.

The wheels and aluminum tracks will need to be kept clean to prevent noise and maintain smoothness. No lubrication should be necessary but if persistent noises from the wheels develop you can use a small amount of lubricant. Natural lubricants work well such as vegetable oil or soy based lubrication products like Biokleen from Ecoviva: <http://www.ecoviva.com/html/soy-lube.php>

Management Mode

- To enter the management mode press Start/Stop and Up keys simultaneously for 3 seconds
- The time window will show the software checksum (for engineering use) then tests the LCD display by sequencing all segments on.
- The next display shows total usage time in the time window, software version In Speed window and odometer in distance window.
- Press the Reset key for distance reading setting, use up & down keys to adjust: 0 = Kilometers, 1 = Miles
- Press the Reset key for distance per pedal revolution setting: 1.83 = 1.83 meters (6 feet) per pedal revolution. Adjust to desired setting by using up & down keys.
- To clear odometer, press **up** and **down** at the same time.
- Press start/stop to exit.



PARTS LIST

Dwg #	Part description	Qty
1	Main Frame	1
2	Console Mast	1
3	Handlebar Assembly	1
4	Sliding Pedal Arm (R)	1
5	Sliding Pedal Arm (L)	1
6	Connecting Pedal Arm (R)	1
7	Connecting Pedal Arm (L)	1
8	Main Crank Axle	1
9	Swing Arm (R)	1
10	Swing Arm (L)	1
11	Crank Arm	2
12	Console Mounting Plate	1
15	Flywheel	1
15-1	Flywheel covers	2
16	177mm Pulley	1
17	157mm Pulley	1
18	55mm Pulley w/Axle	1
20	Bearing Housing, Crank Axle	2
22	Axle for Idler Wheel	1
23	Side Case bracket	2
24	Pulley Retaining Washer	1
25	Set Collar	1
26	Tension Cable Pulley	1
27	Brake Magnet Mounting Arm	1
28	Tension Cable Retainers	2
29	Brake Mounting Bracket	1
31	Cup Washer For M8 Bolt	4
32	Cup Washer For M10 Bolt	2
33	Bearing (6005)	10
34	Bearing (6003)	16
35	Bearing (6203)	4
36	Rod End Bearing (M14 x P2.0)	2
37	Poly-V Belt, 5PK 970mm	1
38	Poly-V Belt, 5PK 1000mm	1
39	Aluminum Track 2.5T x 625L	4
40	Leveling Foot M12 x 1.75 x 75mm dia	6
41	C Ring 17mm dia	6
42	C Ring 25mm dia	4
43	Wave Washer 17mm dia	12
44	Button Head Socket Bolt 5/16" x 13/4"	2
45	Nyloc Nut 5/16" - 7t	2
46	Nyloc Nut M6 - 6t	2
47	Nyloc Nut M8 - 7t	1
48	Socket Head Cap Bolt M5 x 0.8 - 12mm	4
49	Socket Head Cap Bolt M5 x 0.8 - 20mm	3
50	Socket Head Cap Bolt M6 x 1.0 - 12mm	8
51	Socket Head Cap Bolt M6 x 1.0 - 25mm	1
52	Socket Head Cap Bolt M6 x 1.0 - 50mm	1
53	Socket Head Cap Bolt M8 x 1.25 - 12mm	6
54	Socket Head Cap Bolt M8 x 1.25 - 15mm	4
56	Socket Head Cap Bolt M8 x 1.25 - 35mm	2
57	Socket Head Cap Bolt M8 x 1.25 - 75mm	1
58	Socket Head Cap Bolt M10 x 1.5 - 20mm (Stainless steel)	6
59	Phillips Head Screw M5 x 0.8 - 10mm	39
61	Phillips Head Screw M6 x 1.0 - 10mm (Stainless steel)	8
62	Split Washer M5	6
63	Split Washer M6	8
64	Split Washer M8	2

Dwg #	Part description	Qty
65	Split Washer M10 (Stainless steel)	8
66	Nut M5 - 4t	1
71	Set screw M5 - 5mm	4
72	Flat Head Socket Screw M4 x 10mm (Stainless steel)	2
73	Idler Adj. Bolt M10 x 1.5 x 220L	1
74	Shoulder Bolt 14mm dia x M10 x 38mm	2
76	Riv-Nut 13mm dia x- M10 x 1.5	4
77	Woodruff Key (7 x 7 x 23L)	2
78	Round Side Case Insert	2
79	Transportation Wheel (65mm dia)	2
80	Side Case (L)	1
81	Side Case (R)	1
82	Square End Cap (50)	2
83	Oval End Bevel Cap	6
84	M8 Snap-Cap	4
85	M10 Snap-Cap	2
86	Foot Pedal (L)	1
87	Foot Pedal (R)	1
88	Console Assembly	1
88-1	Top Console Cover	1
88-2	Bottom Console Cover	1
88-3	Battery cover	1
88-4	Console circuit board w/Polar receiver	1
88-5	Battery Bracket	1
88-6	Battery (3 x AA)	3
88-7	Receiver, HR	1
88-8	Circuit board Screw (ST2.3 x 6mm)	12
88-9	Battery Holder Screws (ST3.0 x 10mm)	2
88-10	Cover Screw (M4 x 0.7 - 15mm)	4
89	Speed Magnet	1
90	Speed Sensor Mounting Bracket	1
91	Speed Sensor W/Cable 950mm x 24AWG	1
92	Speed Sensor Connecting Cable (Upper) 1150mm	1
94	Nylon Washer (5/16" x 25 x 3t)	2
95	Slide Wheel Cover, Black	2
96	Button Head Plug	2
97	Emergency Brake Lever	1
98	Drink Bottle Holder	2
99	Emergency Brake Assembly	1
99-1	Emergency Brake Pad	2
100	Tension Knob Assembly	1
101	Emergency Brake Cable	1
102	Sliding Wheel (PU 72mm dia)	4
103	Brake Return Spring (52 x 3.5 x 50L)	1
104	Brake Magnet N35 (25 x 10L)	2
110	Nyloc Nut M10 - 8t	2
111	Tapping Screw M4 x 12mm, Black	6
113	Flat washer M5	6
115	Phillips HeadScrew Driver	1
116	8th L Allen Wrench	1
117	17m/m_Wrench	1
118	12th L Allen Wrench	1
119	5th L Allen Wrench	1
120	13m/m_Wrench	1
121	Flywheel Set Collar (L)	1
122	Flywheel Set Collar (R)	1
123	Retaining Disc for Pulley	1
124	Idler Wheel	2
125	Axle for Idler Wheel (R)	1
126	Woodruff Key (6 x 6 x 8L)	1
127	35 Retaining Ring for Bore	2
128	Socket Head Cap Bolt M10 x 1.5 - 80mm	1
129	Socket Head Cap Bolt M10 x 1.5 - 25mm (Stainless steel)	4